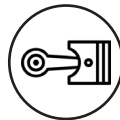




## V304



Pneumatic (ATEX)



Volumetric filling




Extension possibilities



### Specifications

- Automatic volumetric filling machine for low, medium or high viscous products
- Can/pail transport with stainless steel chain with spigots and single step of 254mm
- Completely pneumatically driven
- Product wetted parts in stainless steel 316
- Piston stroke adjustable between 100ml and 5.000ml
- Volume adjustment with handwheel at the front of the machine
- Separate adjustment of filling and suction speed
- Open valve, capillary nozzle or antifoam nozzle for filling of various products
- Cleaning function integrated
- Level control on product hopper
- Closing station for press lids/caps or screw caps
- Central beam for height adjustment
- Easy size adjustment mechanism for transport system
- Automatic lid placer as option
- Leak detector as option
- Can infeed table or conveyor and accumulation conveyor as option
  
- Repeatability accuracy of 0.15% (peak deviation) possible under correct circumstances such as constant infeed pressure and no fluctuations in product density.

 Performance	
<u>Estimated output (containers/minute)</u>	
100ml	28 - 32
500ml	28 - 32
1l	26 - 30
2.5l	18 - 22
5l	15 - 18
<u>Container dimensions</u>	
Diameter	40 - 240mm
Height	60 - 360mm
<u>Machine inputs</u>	
40m <sup>3</sup> /h of compressed air at 6 bar pressure	

